

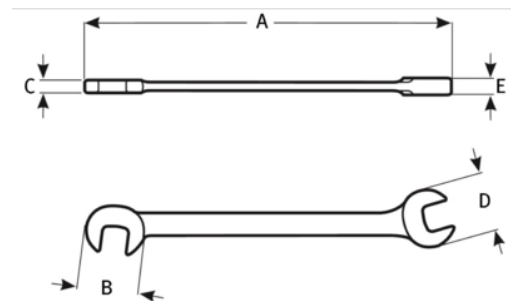


**JHW1020**  
**Chrome Satin Finish Double Head**  
**Open End Wrench 1/4 X 5/16**




**PRODUCT DETAILS**

- Two openings in each wrench with 45° chamfer on wrench ends allow easy placement of wrench on the fastener
- Continuous arc design minimizes spreading and is stronger than “V” design
- Satin chrome finish provides good grip and cleans easily



**PRODUCT ATTRIBUTES**

Product		<b>A</b>	<b>C</b>	<b>E</b>	<b>lb</b>
<b>JHW1020</b>	1/4x5/16 in	4-1/16 in	5/32 in	3/16 in	0.05 lb