

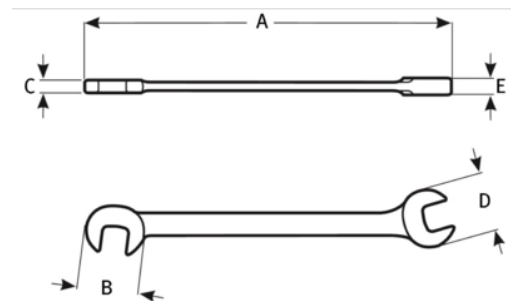


JHW1033A
Chrome Satin Finish Double Head
Open End Wrench 7/8 X 15/16





PRODUCT DETAILS

- Two openings in each wrench with 45° chamfer on wrench ends allow easy placement of wrench on the fastener
- Continuous arc design minimizes spreading and is stronger than “V” design
- Satin chrome finish provides good grip and cleans easily



PRODUCT ATTRIBUTES

Product		A	C	E	
JHW1033A	7/8x15/16 in	10-3/4 in	3/8 in	13/32 in	0.73 lb