

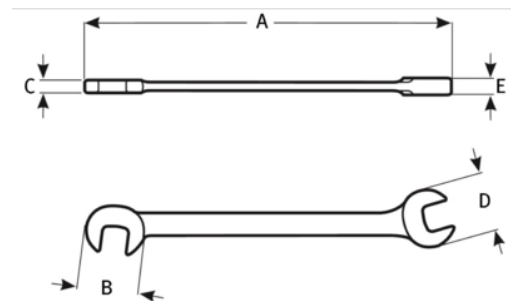


JHW1037B
Chrome Satin Finish Double Head
Open End Wrench 1-1/8 X 1-3/16





PRODUCT DETAILS

- Two openings in each wrench with 45° chamfer on wrench ends allow easy placement of wrench on the fastener
- Continuous arc design minimizes spreading and is stronger than “V” design
- Satin chrome finish provides good grip and cleans easily



PRODUCT ATTRIBUTES

Product		A	C	E	
JHW1037B	1-1/8x1-3/16 in	13-23/32 in	15/32 in	15/32 in	1.4 lb