

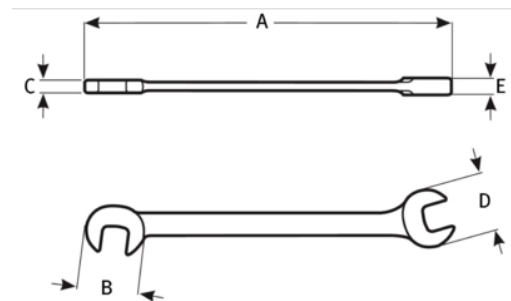


JHW1039B
Chrome Satin Finish Double Head
Open End Wrench 1-1/2 X 1-5/8





PRODUCT DETAILS

- Two openings in each wrench with 45° chamfer on wrench ends allow easy placement of wrench on the fastener
- Continuous arc design minimizes spreading and is stronger than “V” design
- Satin chrome finish provides good grip and cleans easily



PRODUCT ATTRIBUTES

Product		A	C	E	
JHW1039B	5/16x3/8 in	4-11/16 in	5/32 in	3/16 in	3.2 lb