

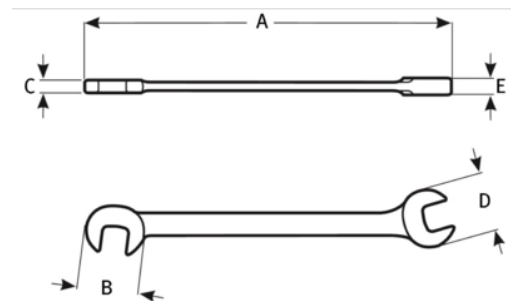


JHW1725
Chrome Satin Finish Double Head
Open End Wrench 7/16 X 1/2




PRODUCT DETAILS

- Two openings in each wrench with 45° chamfer on wrench ends allow easy placement of wrench on the fastener
- Continuous arc design minimizes spreading and is stronger than “V” design
- Satin chrome finish provides good grip and cleans easily



PRODUCT ATTRIBUTES

Product		A	C	E	lb
JHW1725	1/2x9/16 in	6-19/32 in	1/4 in	9/32 in	0.13 lb