

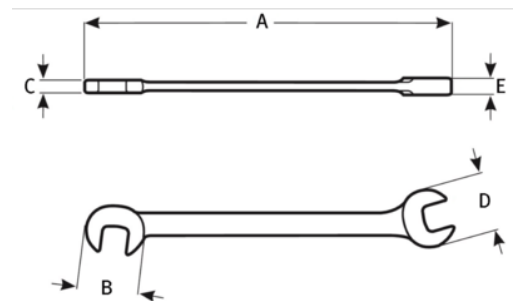


JHW1731
Chrome Satin Finish Double Head
Open End Wrench 3/4 X 13/16





PRODUCT DETAILS

- Two openings in each wrench with 45° chamfer on wrench ends allow easy placement of wrench on the fastener
- Continuous arc design minimizes spreading and is stronger than “V” design
- Satin chrome finish provides good grip and cleans easily



PRODUCT ATTRIBUTES

Product		A	C	E	
JHW1731	1-3/8x1-7/16 in	16-7/8 in	17/32 in	3/8 in	0.5 lb