

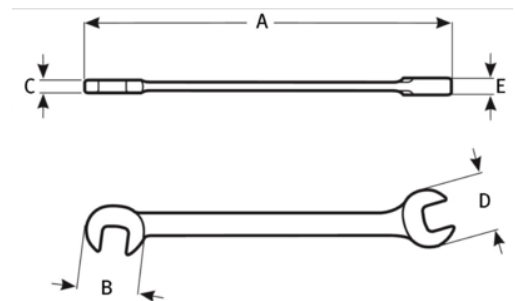


JHWOES-0809
Chrome Satin Short Double Head
Open End Wrench 1/4 X 9/32





PRODUCT DETAILS

- Two openings in each wrench with 45° chamfer on wrench ends allow easy placement of wrench on the fastener
- Continuous arc design minimizes spreading and is stronger than “V” design
- Satin chrome finish provides good grip and cleans easily



PRODUCT ATTRIBUTES

Product		A	C	E	
JHWOES-0809	3/8x7/16 in	3-3/4 in	5/32 in	1/8 in	0.02 lb