

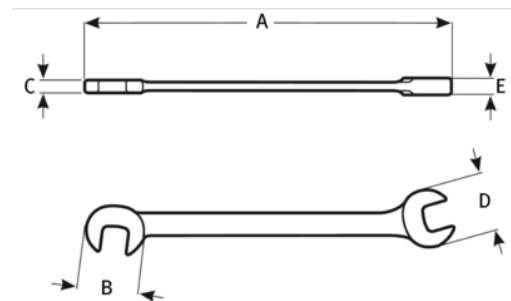


JHWOES-1011
Chrome Satin Short Double Head
Open End Wrench 5/16 X 11/32




PRODUCT DETAILS

- Two openings in each wrench with 45° chamfer on wrench ends allow easy placement of wrench on the fastener
- Continuous arc design minimizes spreading and is stronger than “V” design
- Satin chrome finish provides good grip and cleans easily



PRODUCT ATTRIBUTES

Product		A	C	E	lb
JHWOES-1011	3/16x7/32 in	2-27/32 in	1/8 in	1/8 in	0.03 lb