

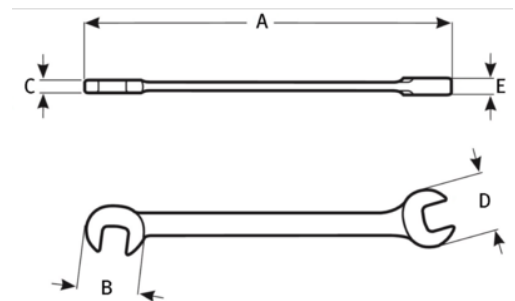


**JHWOES-1214**  
**Chrome Satin Short Double Head**  
**Open End Wrench 3/8 X 7/16**





**PRODUCT DETAILS**

- Two openings in each wrench with 45° chamfer on wrench ends allow easy placement of wrench on the fastener
- Continuous arc design minimizes spreading and is stronger than “V” design
- Satin chrome finish provides good grip and cleans easily



**PRODUCT ATTRIBUTES**

Product		<b>A</b>	<b>C</b>	<b>E</b>	
<b>JHWOES-1214</b>	1/4x9/32 in	3-5/32 in	1/8 in	1/8 in	0.05 lb