

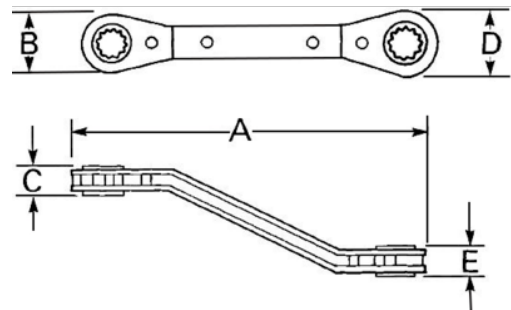


JHWRBO-1214
Double Head 25 Degree Reversible
Offsetcheting Offset Box Wrench,
12 Point, 3/8 X 7/16





PRODUCT DETAILS

- 25° offset handle clears obstructions that flat handle wrenches cannot
- Allows fast removal of fasteners with a ratcheting action at each end
- Ideal for long “bolt-through” applications Our most rugged, high torque capacity ratchet



PRODUCT ATTRIBUTES

Product		A	B	E	
JHWRBO-1214	3/8x7/16 in	5-7/16 in	25/32 in	3/8 in	0.2 lb