

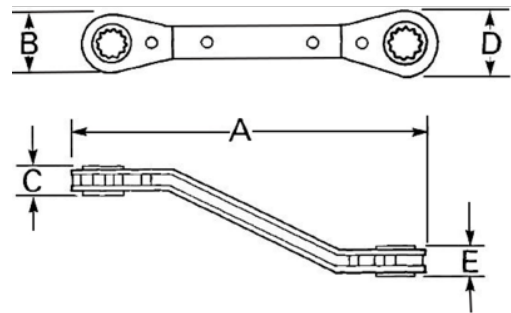


JHWRBO-810
Double Head 25 Degree Reversible
Offsetcheting Offset Box Wrench,
12 Point, 1/4 X 5/16





PRODUCT DETAILS

- 25° offset handle clears obstructions that flat handle wrenches cannot
- Allows fast removal of fasteners with a ratcheting action at each end
- Ideal for long “bolt-through” applications Our most rugged, high torque capacity ratchet



PRODUCT ATTRIBUTES

| Product |  | A | B | E |  |
|-------------------|---|----------|----------|----------|---|
| JHWRBO-810 | 1/4x5/16 in | 4-1/4 in | 19/32 in | 3/8 in | 0.12 lb |