

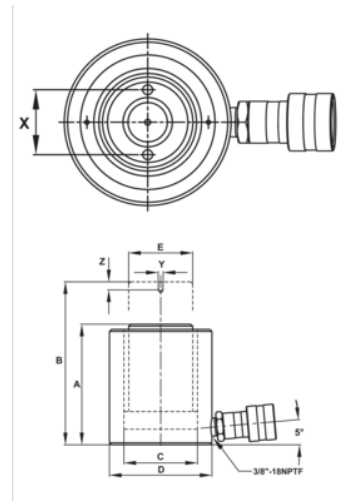


JHW6CL10T01
10T Low Profile Cylinder 3/8







PRODUCT DETAILS

- Compact design for use in confined spaces
- Rod wiper helps seal out dirt and contamination
- Specially designed return spring ensures a quick retraction and extends the life of the spring
- Industrial hard chrome plated ram helps prevent scratching and corrosion
- Plunger end is grooved to reduce load slippage
- Includes high flow ball coupler and dust cap



PRODUCT ATTRIBUTES

Product: **JHW6CL10T01**

	10 t		1.5 in		2.35 in
PSI	8511 psi		3.53 in ³	A	3.48 in
B	4.98 in	C	1.73 in	D	2.75 in
E	1.5 in	X	1.03 in	Y	M4 in
Z	0.32 in				