

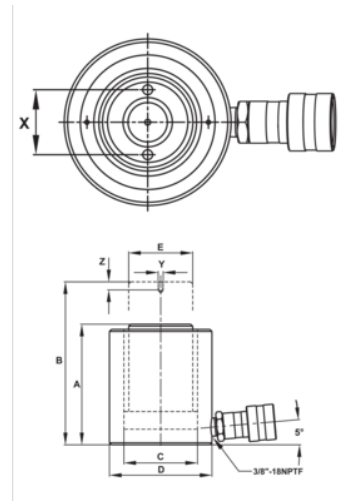


JHW6CL20T02
20T Low Profile Cylinder 3/8







PRODUCT DETAILS

- Compact design for use in confined spaces
- Rod wiper helps seal out dirt and contamination
- Specially designed return spring ensures a quick retraction and extends the life of the spring
- Industrial hard chrome plated ram helps prevent scratching and corrosion
- Plunger end is grooved to reduce load slippage
- Includes high flow ball coupler and dust cap



PRODUCT ATTRIBUTES

Product: **JHW6CL20T02**

	20 t		1.75 in		4.37 in
PSI	9153 psi		7.65 in ³	A	3.9 in
B	5.65 in	C	2.36 in	D	3.63 in
E	2 in	X	1.56 in	Y	M4 in
Z	0.32 in				