

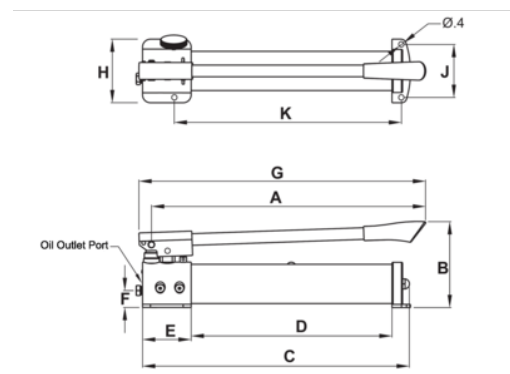


JHW5HS2S35
2 Speed Hand Pump, Two Speed,
21.4in Usable Oil Capacity








PRODUCT DETAILS

- 5HS2S35, 5HS2S100 and 5HS2S200 feature 2 speed operation
- Pressure relief valve for overload protection
- Load release valve for single acting cylinder usage
- Large oil capacities to power a wide range of cylinders and tools
- 5HS2S35 and 5HS2S1 are constructed of high strength lightweight aluminum alloy for easy handling and corrosion resistance
- All hand pumps function in horizontal positions and will also function in some vertical positions



PRODUCT ATTRIBUTES

Product: **JHW5HS2S35**

	21.4 in ³	PSI	200 psi	PSI	10.002 psi
	0.18 in ³		0.05 in ³	lb	88 lb
	0.38 in		1/4"-18NPTF mm	A	13.43 in
B	5.91 in	C	13.89 in	D	9.09 in
E	2.36 in	F	1.34 in	H	3.35 in
J	2.56 in	K			