

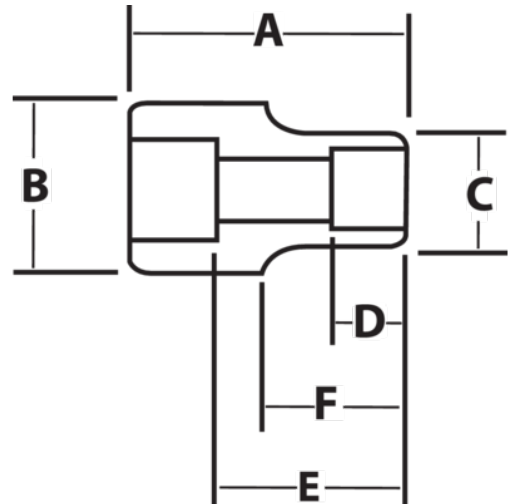


HD-628 - HD-652
3/4" Drive Deep Sockets, 6 Point,
SAE







PRODUCT DETAILS

- SUPERTORQUE® lobular openings for greater turning power without deforming the fastener
- Designed for maximum engagement on 6 point fasteners



PRODUCT ATTRIBUTES

Product			A	B	C	D	E		F	
JHWHD-628	3/4 in	7/8 in	3-1/2 in	1-7/16 in	1-5/16 in	5/8 in	2-1/2 in	11/16 in	2-5/16 in	0.82 lb
JHWHD-630	3/4 in	15/16 in	3-1/2 in	1-7/16 in	1-3/8 in	21/32 in	2-1/2 in	11/16 in	2-5/16 in	0.82 lb
JHWHD-632	3/4 in	1 in	3-1/2 in	1-1/2 in	1-7/16 in	23/32 in	2-1/2 in	11/16 in	2-5/16 in	0.9 lb
JHWHD-634	3/4 in	1-1/16 in	3-1/2 in	1-1/2 in	1-9/16 in	3/4 in	2-1/2 in	3/4 in	2-7/32 in	0.98 lb
JHWHD-636	3/4 in	1-1/8 in	3-1/2 in	1-1/2 in	1-5/8 in	13/16 in	2-1/2 in	25/32 in	2-7/32 in	1.05 lb
JHWHD-640	3/4 in	1-1/4 in	3-1/2 in	1-1/2 in	1-3/4 in	1 in	2-1/2 in	7/8 in	2-3/16 in	1.39 lb
JHWHD-642	3/4 in	1-5/16 in	3-1/2 in	1-5/8 in	1-7/8 in	1 in	2-1/2 in	15/16 in	2-3/16 in	1.44 lb
JHWHD-644	3/4 in	1-3/8 in	3-1/2 in	1-5/8 in	1-15/16 in	1 in	2-9/16 in	1-3/8 in	2-3/16 in	1.4 lb
JHWHD-646	3/4 in	1-7/16 in	3-1/2 in	1-5/8 in	2 in	1 in	2-9/16 in	1-7/16 in	2-1/8 in	1.63 lb
JHWHD-648	3/4 in	1-1/2 in	3-1/2 in	1-5/8 in	2-1/16 in	1-1/4 in	2-9/16 in	1-1/2 in	2-1/8 in	1.65 lb
JHWHD-652	3/4 in	1-5/8 in	3-1/2 in	1-3/4 in	2-1/4 in	1-3/8 in	2-9/16 in	1-5/8 in	2-1/8 in	1.89 lb