

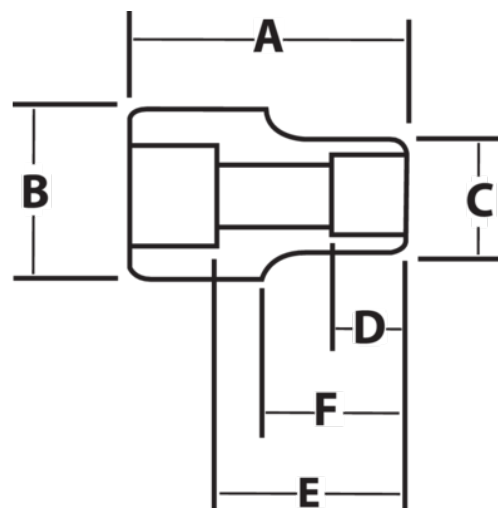


HM-1219 - HM-1260
3/4" Drive Shallow Sockets, 12
Point, Metric, High Polished
Chrome Finish







PRODUCT DETAILS

- SUPERTORQUE® lobular openings for greater turning power without deforming the fastener
- Designed for quick engagement on both 6 and 12 point fasteners



PRODUCT ATTRIBUTES

Product			A	B	C	D	E		F	 lb
JHWHM-1219	3/4 in	19-mm	2 in	7/16 in	1-1/8 in	9/16 in	1-1/32 in	11/16 in	13/16 in	0.44 lb
JHWHM-1222	3/4 in	22-mm	2 in	7/16 in	1-1/4 in	5/8 in	1-1/32 in	11/16 in	13/16 in	0.48 lb
JHWHM-1224	3/4 in	24-mm	2 in	7/16 in	1-3/8 in	21/32 in	1-1/32 in	11/16 in	13/16 in	0.37 lb
JHWHM-1227	3/4 in	27-mm	2 in	1-1/2 in	1-9/16 in	3/4 in	1-1/32 in	1-1/16 in	11/16 in	0.55 lb
JHWHM-1230	3/4 in	30-mm	2-7/32 in	1-1/2 in	1-5/8 in	13/16 in	1-7/32 in	1-3/16 in	27/32 in	0.6 lb
JHWHM-1232	3/4 in	32-mm	2-1/4 in	1-1/2 in	1-3/4 in	7/8 in	1-5/16 in	1-5/16 in	7/8 in	0.84 lb
JHWHM-1235	3/4 in	35-mm	2-5/16 in	1-5/8 in	1-15/16 in	29/32 in	1-13/32 in	1-7/16 in	7/8 in	1.08 lb
JHWHM-1236	3/4 in	36-mm	2-5/16 in	1-5/8 in	1-15/16 in	29/32 in	1-13/32 in	1-1/4 in	7/8 in	0.93 lb
JHWHM-1238	3/4 in	38-mm	2-1/2 in	1-5/8 in	2-1/16 in	1 in	1-19/32 in	1-9/16 in	1-1/16 in	1.44 lb
JHWHM-1241	3/4 in	41-mm	2-5/8 in	1-3/4 in	2-3/16 in	1-1/16 in	1-23/32 in	1-13/32 in	1-3/16 in	1.16 lb
JHWHM-1246	3/4 in	46-mm	3-1/8 in	1-3/4 in	2-7/16 in	1-3/16 in	1-31/32 in	1-13/32 in	1-11/16 in	1.56 lb
JHWHM-1250	3/4 in	50-mm	3 in	1-3/4 in	2-5/8 in	1-5/16 in	2-3/32 in	1-13/32 in	1-13/32 in	1.73 lb
JHWHM-1254	3/4 in	54-mm	3-1/4 in	1-3/4 in	2-7/8 in	1-15/32 in	2-1/8 in	1-13/32 in	1-21/32 in	2.27 lb
JHWHM-1255	3/4 in	55-mm	3-1/4 in	1-3/4 in	2-29/32 in	1-15/32 in	2-11/32 in	1-13/32 in	1-21/32 in	2.17 lb
JHWHM-1260	3/4 in	60-mm	3-5/8 in	1-3/4 in	3-1/4 in	1-3/4 in	2-23/32 in	1-3/4 in	2-1/8 in	3.52 lb