

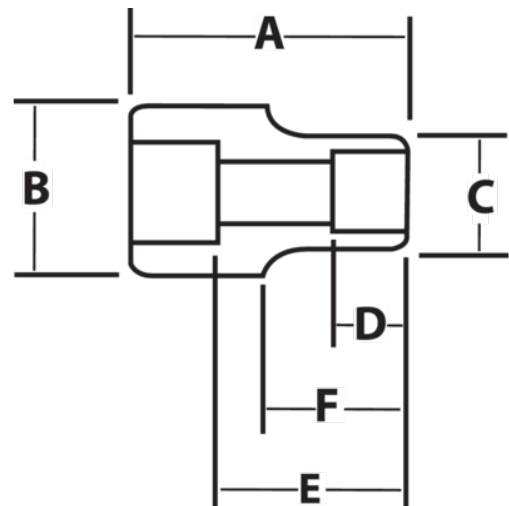


16-624 - 16-664
3/4" Drive Deep Impact Sockets, 6
Point, SAE







PRODUCT DETAILS

- SUPERTORQUE® lobular openings for greater turning power without deforming the fastener
- Designed for maximum engagement on 6 point fasteners
- Suitable for use with pneumatic and electric impact wrenches
- Specially heat treated for impact use to provide long life, safety, and durability



PRODUCT ATTRIBUTES

Product			A	B	C	D	E		F	
JHW16-624	3/4 in	3/4 in	3 in	1-5/8 in	1-1/4 in	9/16 in	2-1/32 in	9/16 in	9/16 in	1.18 lb
JHW16-626	3/4 in	13/16 in	3 in	1-5/8 in	1-7/16 in	5/8 in	2-1/32 in	9/16 in	5/8 in	1.15 lb
JHW16-628	3/4 in	7/8 in	3 in	1-5/8 in	1-7/16 in	5/8 in	2-1/32 in	5/8 in	5/8 in	1.24 lb
JHW16-630	3/4 in	15/16 in	3 in	1-5/8 in	1-5/8 in	5/8 in	2-1/32 in	5/8 in	5/8 in	1.1 lb
JHW16-632	3/4 in	1 in	3 in	1-5/8 in	1-5/8 in	11/16 in	2-1/32 in	21/32 in	11/16 in	1.1 lb
JHW16-634	3/4 in	1-1/16 in	3 in	1-5/8 in	1-11/16 in	11/16 in	2-1/32 in	3/4 in	11/16 in	1.16 lb
JHW16-636	3/4 in	1-1/8 in	3 in	1-5/8 in	1-3/4 in	3/4 in	2-1/32 in	13/16 in	3/4 in	1.49 lb
JHW16-638	3/4 in	1-3/16 in	3-3/16 in	1-3/4 in	1-15/16 in	3/4 in	2-7/32 in	1-3/16 in	3/4 in	1.69 lb
JHW16-640	3/4 in	1-1/4 in	3-1/4 in	1-3/4 in	1-15/16 in	7/8 in	2-9/32 in	1-1/4 in	7/8 in	1.72 lb
JHW16-642	3/4 in	1-5/16 in	3-1/4 in	1-3/4 in	2 in	7/8 in	2-9/32 in	1-9/32 in	7/8 in	1.66 lb
JHW16-644	3/4 in	1-3/8 in	3-1/4 in	1-3/4 in	2-1/8 in	7/8 in	2-9/32 in	1-3/8 in	7/8 in	1.85 lb
JHW16-646	3/4 in	1-7/16 in	3-1/2 in	1-3/4 in	2-1/8 in	7/8 in	2-17/32 in	1-13/32 in	7/8 in	1.91 lb
JHW16-648	3/4 in	1-1/2 in	3-1/2 in	1-3/4 in	2-1/4 in	15/16 in	2-17/32 in	1-1/2 in	15/16 in	2.14 lb
JHW16-650	3/4 in	1-9/16 in	3-1/2 in	1-3/4 in	2-5/16 in	15/16 in	2-17/32 in	1-9/16 in	15/16 in	2.04 lb
JHW16-652	3/4 in	1-5/8 in	3-1/2 in	1-3/4 in	2-7/16 in	15/16 in	2-17/32 in	1-5/8 in	15/16 in	2.47 lb
JHW16-654	3/4 in	1-11/16 in	3-1/2 in	1-3/4 in	2-1/2 in	1 in	2-17/32 in	1-11/16 in	1 in	2.3 lb
JHW16-656	3/4 in	1-3/4 in	3-1/2 in	1-3/4 in	2-1/2 in	1 in	2-17/32 in	1-3/4 in	1 in	2.2 lb
JHW16-658	3/4 in	1-13/16 in	3-3/4 in	1-3/4 in	2-5/8 in	1-1/16 in	2-3/4 in	1-13/16 in	1-1/16 in	2.62 lb
JHW16-660	3/4 in	1-7/8 in	3-3/4 in	1-3/4 in	2-11/16 in	1-1/8 in	2-3/4 in	1-7/8 in	1-1/8 in	2.98 lb
JHW16-664	3/4 in	2 in	3-3/4 in	1-3/4 in	2-3/16 in	1-1/8 in	2-3/4 in	2 in	1-1/8 in	3.13 lb