



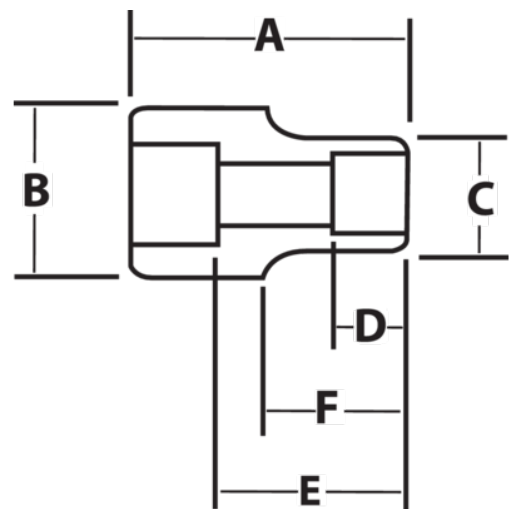
38216 - 38240

**3/4" Drive One Piece Impact Hex  
Bit Driver, SAE**







**PRODUCT DETAILS**

- One-piece design maximizes strength and reduces breakage
- Chamfered ends provide easy engagement of the drive tool and fastener
- Suitable for use with pneumatic and electric impact wrenches
- Specially heat treated for impact use to provide long life, safety, and durability
- Drive end features pin retention hole and groove



PRODUCT ATTRIBUTES

Product			<b>A</b>	<b>B</b>	<b>C</b>	<b>D</b>	<b>E</b>		<b>F</b>	
<b>JHW38216</b>	3/4 in	1/2 in	3-1/2 in	1-3/4 in	3/4 in	6-1XS in	6-1A/6-2C in			1.01 lb
<b>JHW38218</b>	3/4 in	9/16 in	3-1/2 in	1-3/4 in	3/4 in	6-1XS in	6-1A/6-2C in			0.92 lb
<b>JHW38220</b>	3/4 in	5/8 in	3-1/2 in	1-3/4 in	3/4 in	6-1XS in	6-1A/6-2C in			1.1 lb
<b>JHW38224</b>	3/4 in	3/4 in	3-1/2 in	1-3/4 in	3/4 in	6-1XS in	6-1A/6-2C in			1.09 lb
<b>JHW38226</b>	3/4 in	13/16 in	3-1/2 in	1-3/4 in	3/4 in	6-1XS in	6-1A/6-2C in			1.26 lb
<b>JHW38228</b>	3/4 in	7/8 in	3-1/2 in	1-3/4 in	3/4 in	6-1XS in	6-1A/6-2C in			1.3 lb
<b>JHW38232</b>	3/4 in	1 in	3-1/2 in	1-3/4 in	3/4 in	6-1XS in	6-1A/6-2C in			1.42 lb
<b>JHW38240</b>	3/4 in	1-1/4 in	3-1/2 in	1-3/4 in	3/4 in	6-1XS in	6-1A/6-2C in			1.69 lb