



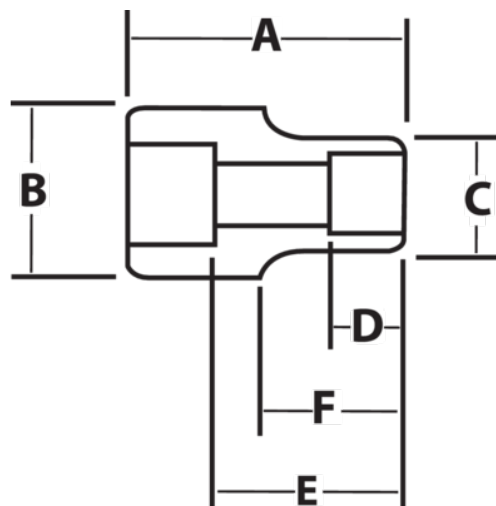
6-618A - 6-676

**3/4" Drive Shallow Impact
Sockets, 6 Point, SAE, Black
Industrial Finish**







PRODUCT DETAILS

- SUPERTORQUE™ lobular openings for greater turning power without deforming the fastener
- Designed for maximum engagement on 6 point fasteners
- Suitable for use with pneumatic and electric impact wrenches
- Specially heat treated for impact use to provide long life, safety, and durability



PRODUCT ATTRIBUTES

Product			A	B	C	D	E		F	
JHW6-618A	3/4 in	9/16 in	2 in	1-5/8 in	1 in	17/32 in	1-1/32 in	1/2 in	1 in	0.58 lb
JHW6-620A	3/4 in	5/8 in	2 in	1-5/8 in	1-3/32 in	17/32 in	1-1/32 in	1/2 in	1 in	0.61 lb
JHW6-622A	3/4 in	11/16 in	2 in	1-5/8 in	1-5/32 in	17/32 in	1-1/32 in	1/2 in	1 in	0.62 lb
JHW6-624A	3/4 in	3/4 in	2 in	1-5/8 in	1-1/4 in	17/32 in	1-1/32 in	11/16 in	1 in	0.2 lb
JHW6-626A	3/4 in	13/16 in	2 in	1-5/8 in	1-3/8 in	17/32 in	1-1/32 in	11/16 in	1 in	0.68 lb
JHW6-628A	3/4 in	7/8 in	2 in	1-5/8 in	1-1/2 in	19/32 in	1-1/32 in	11/16 in	1 in	0.73 lb
JHW6-630A	3/4 in	15/16 in	2 in	1-5/8 in	1-9/16 in	21/32 in	1-1/32 in	11/16 in	1 in	0.74 lb
JHW6-632A	3/4 in	1 in	2 in	1-5/8 in	1-5/8 in	11/16 in	1-1/32 in	11/16 in		0.75 lb
JHW6-634A	3/4 in	1-1/16 in	2 in	1-5/8 in	1-11/16 in	3/4 in	1-1/32 in	1-1/16 in	1-5/16 in	0.73 lb
JHW6-636	3/4 in	1-1/8 in	2-1/8 in	1-5/8 in	1-3/4 in	3/4 in	1-5/32 in	1-1/8 in	1-7/16 in	0.84 lb
JHW6-638	3/4 in	1-3/16 in	2-1/8 in	1-5/8 in	1-7/8 in	3/4 in	1-5/32 in	1-3/16 in	1-7/16 in	0.94 lb
JHW6-640	3/4 in	1-1/4 in	2-1/8 in	1-3/4 in	2 in	13/16 in	1-5/32 in	1-1/4 in	1-7/16 in	1.08 lb
JHW6-642	3/4 in	1-5/16 in	2-1/8 in	1-3/4 in	2-1/32 in	7/8 in	1-5/32 in	1-5/16 in	1-7/16 in	1.06 lb
JHW6-644	3/4 in	1-3/8 in	2-1/4 in	1-3/4 in	2-1/8 in	7/8 in	1-9/32 in	1-3/8 in	1-9/16 in	1.21 lb
JHW6-646	3/4 in	1-7/16 in	2-1/4 in	1-3/4 in	2-3/16 in	7/8 in	1-9/32 in	1-7/16 in	1-9/16 in	1.28 lb
JHW6-648	3/4 in	1-1/2 in	2-1/4 in	1-3/4 in	2-1/4 in	15/16 in	1-9/32 in	1-1/2 in	1-9/16 in	1.29 lb
JHW6-650	3/4 in	1-9/16 in	2-3/8 in	1-3/4 in	2-11/32 in	15/16 in	1-13/32 in	1-9/16 in	1-11/16 in	1.45 lb
JHW6-652	3/4 in	1-5/8 in	2-3/8 in	1-3/4 in	2-13/32 in	1 in	1-13/32 in	1-5/8 in	1-11/16 in	1.46 lb
JHW6-654	3/4 in	1-11/16 in	2-9/16 in	1-3/4 in	2-15/32 in	1-1/32 in	1-19/32 in	1-7/16 in	1-7/8 in	1.69 lb
JHW6-656	3/4 in	1-3/4 in	2-9/16 in	1-3/4 in	2-17/32 in	1-1/32 in	1-19/32 in	1-3/4 in	1-7/8 in	1.68 lb
JHW6-658	3/4 in	1-13/16 in	2-5/8 in	1-3/4 in	2-19/32 in	1-1/8 in	1-21/32 in	1-13/16 in	1-15/16 in	1.97 lb
JHW6-660	3/4 in	1-7/8 in	2-3/4 in	1-3/4 in	2-5/8 in	1-1/8 in	1-13/16 in	1-7/16 in	2-1/16 in	1.85 lb
JHW6-662	3/4 in	1-15/16 in	2-3/4 in	1-3/4 in	2-3/4 in	1-1/8 in	1-3/4 in	1-7/16 in	2-1/16 in	2.32 lb
JHW6-664	3/4 in	2 in	2-7/8 in	1-3/4 in	2-13/16 in	1-1/8 in	1-13/16 in	1-7/16 in	2-3/16 in	2.11 lb
JHW6-666	3/4 in	2-1/16 in	2-7/8 in	1-3/4 in	2-7/8 in	1-3/16 in	1-13/16 in	1-7/16 in	2-3/16 in	2.13 lb
JHW6-670	3/4 in	2-3/16 in	3-3/16 in	1-3/4 in	3-1/16 in	1-5/16 in	2-1/16 in	2-3/16 in	2-1/2 in	2.7 lb
JHW6-672	3/4 in	2-1/4 in	3-3/16 in	1-3/4 in	3-1/8 in	1-3/8 in	2-5/32 in	1-27/32 in	2-1/2 in	2.75 lb
JHW6-676	3/4 in	2-3/8 in	3-1/2 in	1-3/4 in	3-1/4 in	1-7/16 in	2-7/16 in	1-27/32 in	2-13/16 in	3.2 lb