



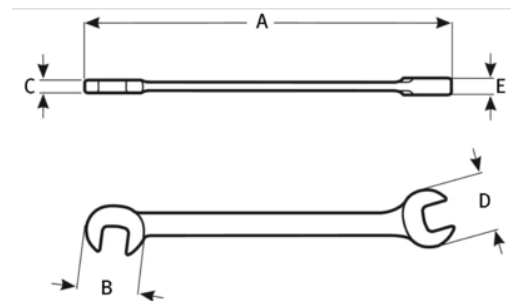
1020 - 1731B

**Double Head Open End Wrenches,  
SAE**





**PRODUCT DETAILS**

- Two openings in each wrench with 45° chamfer on wrench ends allow easy placement of wrench on the fastener
- Continuous arc design minimizes spreading and is stronger than “V” design
- Satin chrome finish provides good grip and cleans easily



PRODUCT ATTRIBUTES

Product		<b>A</b>	<b>C</b>	<b>E</b>	
<b>JHW1020</b>	1/4x5/16 in	4-1/16 in	5/32 in	3/16 in	0.05 lb
<b>JHW1027B</b>	5/8x11/16 in	7-31/32 in	5/16 in	5/16 in	0.32 lb
<b>JHW1033A</b>	7/8x15/16 in	10-3/4 in	3/8 in	13/32 in	0.73 lb
<b>JHW1033C</b>	15/16x1 in	11-1/2 in	13/32 in	13/32 in	0.86 lb
<b>JHW1037</b>	1-1/16x1-1/4 in	12-15/16 in	7/16 in	1/2 in	1.39 lb
<b>JHW1037B</b>	1-1/8x1-3/16 in	13-23/32 in	15/32 in	15/32 in	1.4 lb
<b>JHW1038</b>	1-1/4x1-5/16 in	15-9/32 in	1/2 in	17/32 in	1.85 lb
<b>JHW1038A</b>	1-1/2x1-5/8 in	18-29/32 in	9/16 in	19/32 in	2.27 lb
<b>JHW1039B</b>	5/16x3/8 in	4-11/16 in	5/32 in	3/16 in	3.2 lb
<b>JHW1721</b>	3/8x7/16 in	5-5/16 in	3/16 in	7/32 in	0.07 lb
<b>JHW1723</b>	7/16x1/2 in	5-31/32 in	7/32 in	1/4 in	0.1 lb
<b>JHW1725</b>	1/2x9/16 in	6-19/32 in	1/4 in	9/32 in	0.13 lb
<b>JHW1725B</b>	5/8x3/4 in	8-9/32 in	9/32 in	11/32 in	0.19 lb
<b>JHW1727</b>	11/16x3/4 in	8-21/32 in	5/16 in	11/32 in	0.24 lb
<b>JHW1729</b>	3/4x13/16 in	9-11/32 in	11/32 in	3/8 in	0.34 lb
<b>JHW1729B</b>	3/4x7/8 in	9-11/16 in	11/32 in	3/8 in	0.38 lb
<b>JHW1731</b>	1-3/8x1-7/16 in	16-7/8 in	17/32 in	3/8 in	0.5 lb
<b>JHW1731A</b>	9/16x5/8 in	7-9/32 in	9/32 in	3/8 in	0.52 lb
<b>JHW1731B</b>	13/16x7/8 in	10-1/32 in	3/8 in	3/8 in	0.59 lb