



8xxxA - 8xxxC

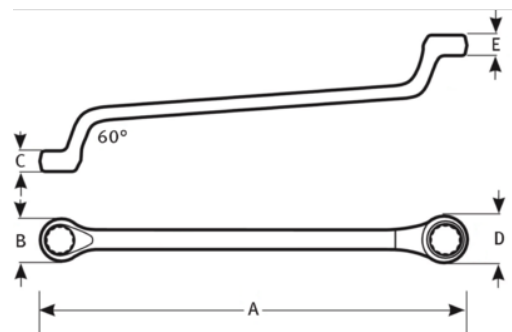
Double Head 60° Offset Box End Wrenches





PRODUCT DETAILS

- SUPERTORQUE™ box opening design allows application of higher torque without rounding or deforming hex fastener points. No contact is made at the corners. Instead, wrenching forces are placed on the flat surfaces behind the points
- 60° offset box end allows extra knuckle and bolt clearance in tight areas

- Sizes are clearly marked on handle ends



PRODUCT ATTRIBUTES

Product		A	B	C	D	E	
JHW8033A	7/8x15/16 in	13 in	1-9/32 in	9/16 in	1-3/8 in	9/16 in	0.95 lb
JHW8033C	15/16x1 in	13-31/32 in	1-3/8 in	19/32 in	1-7/16 in	19/32 in	1.11 lb
JHW8720	1/4x5/16 in	6-7/16 in	13/32 in	1/4 in	15/32 in	9/32 in	0.07 lb
JHW8723	3/8x7/16 in	7-5/8 in	9/16 in	5/16 in	21/32 in	5/16 in	0.16 lb
JHW8725	7/16x1/2 in	8-3/16 in	21/32 in	11/32 in	3/4 in	11/32 in	0.22 lb
JHW8725B	1/2x9/16 in	8-25/32 in	3/4 in	3/8 in	27/32 in	3/8 in	0.27 lb
JHW8727	9/16x5/8 in	9-3/8 in	27/32 in	13/32 in	29/32 in	13/32 in	0.41 lb
JHW8727A	5/8x11/16 in	9-31/32 in	29/32 in	7/16 in	1 in	7/16 in	0.47 lb
JHW8729	5/8x3/4 in	10-1/4 in	15/16 in	7/16 in	1-3/32 in	7/16 in	0.5 lb
JHW8729A	11/16x13/16 in	10-27/32 in	1 in	15/32 in	1-3/16 in	15/32 in	0.63 lb
JHW8731A	3/4x7/8 in	11-7/16 in	1-3/32 in	17/32 in	1-9/32 in	17/32 in	0.63 lb