

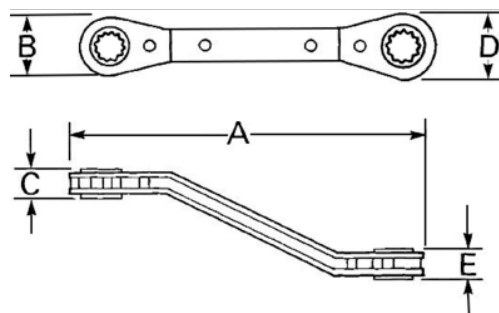


RBO-810 - RBO-2630
Double Head 25° REVERSIBLE
Offset Ratcheting Box Wrenches





PRODUCT DETAILS

- 25° offset handle clears obstructions that flat handle wrenches cannot
- Allows fast removal of fasteners with a ratcheting action at each end
- Ideal for long “bolt-through” applications Our most rugged, high torque capacity ratchet



PRODUCT ATTRIBUTES

Product		A	B	E	
JHWRBO-1214	3/8x7/16 in	5-7/16 in	25/32 in	3/8 in	0.2 lb
JHWRBO-1618	1/2x9/16 in	6-3/4 in	1 in	1/2 in	0.3 lb
JHWRBO-2022	5/8x11/16 in	8 in	1-5/16 in	1/2 in	0.44 lb
JHWRBO-2024	5/8x3/4 in	8 in	1-5/16 in	1/2 in	0.45 lb
JHWRBO-2226	11/16x13/16 in	9-1/8 in	1-13/32 in	1/2 in	0.54 lb
JHWRBO-2428	3/4x7/8 in	9-1/8 in	1-13/32 in	1/2 in	0.51 lb
JHWRBO-2630	13/16x15/16 in	9-1/8 in	1-13/32 in	1/2 in	0.64 lb
JHWRBO-810	1/4x5/16 in	4-1/4 in	19/32 in	3/8 in	0.12 lb