

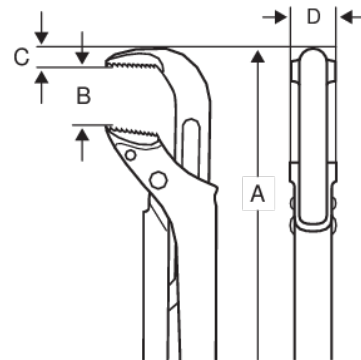


JHW141 11" Universal Pliers Wrench





PRODUCT DETAILS

- Black oxide and anti-rust treated high alloy steel provide long life and durability
- Precision induction hardened jaws are designed with inwardly angled aggressive teeth
- Outer part of jaw is large toothed and used for maximum grip on large diameter pipes
- Inner part of jaw is fine toothed and used for maximum grip on small diameter pipes
- Commonly call a "Swedish Pipe Wrench", the small head makes them ideal for working in confined areas



PRODUCT ATTRIBUTES

Product	A	B	C	D		
JHW141	320 mm	45 mm	11.7 mm	18.8 mm	1 in	575 g