

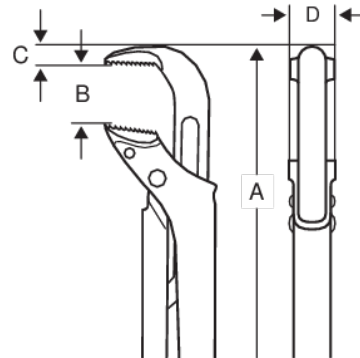


## JHW140/JHW144 Universal Pliers Wrenches





### PRODUCT DETAILS

- Black oxide and anti-rust treated high alloy steel provide long life and durability
- Precision induction hardened jaws are designed with inwardly angled aggressive teeth
- Outer part of jaw is large toothed and used for maximum grip on large diameter pipes
- Inner part of jaw is fine toothed and used for maximum grip on small diameter pipes
- Commonly call a "Swedish Pipe Wrench", the small head makes them ideal for working in confined areas



PRODUCT ATTRIBUTES

Product	<b>A</b>	<b>B</b>	<b>C</b>	<b>D</b>		
<b>JHW140</b>	210 mm	33 mm	9.3 mm	15.7 mm	3/4 in	375 g
<b>JHW141</b>	320 mm	45 mm	11.7 mm	18.8 mm	1 in	575 g
<b>JHW142</b>	426 mm	65 mm	14.87 mm	20.8 mm	1 1/2 in	1150 g
<b>JHW143</b>	557 mm	90 mm	19.8 mm	26.7 mm	2 1/2 in	2865 g
<b>JHW144</b>	722 mm	110 mm	24.9 mm	33.7 mm	3 1/2 in	5390 g