

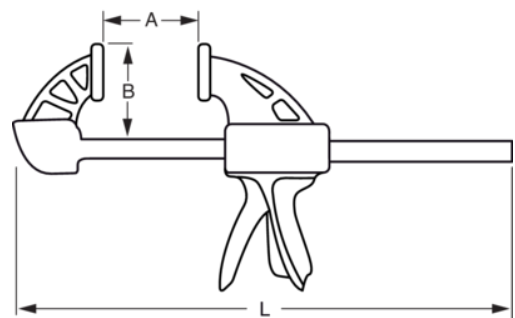


QCB-450
Quick Clamps with 200 kg Force
450 mm





PRODUCT DETAILS

- QCB clamp has a force of 200 kg
- A wider range up to 1250 mm in length
- Can also be used as a spreader
- Variable speed trigger mechanism increases power as the head makes contact with the work piece
- Variable speed mechanism makes it easier to reach high clamping force
- Removable pads with V-groove
- Easy to adapt to a spreader with the spreader button
- Easy-access release mechanism
- Comfortable handle for use at any angle; upside down, front to back



PRODUCT ATTRIBUTES

| Product |  | A | B |  |
|----------------|---|----------|----------|---|
| QCB-450 | 756 mm | 450 mm | 95 mm | 1200 g |