



3942-CW



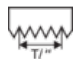


## Sabre Saw HCS Blades for Coarse Wood



### PRODUCT DETAILS

- The blade is made of high carbon steel and the teeth are induction hardened for a very long life before being coated for minimum friction
- Unique bevel ground teeth provide a quick cut and deliver the best results in coarse wood
- The teething allows considerably faster cutting compared to traditional blades; coarse and very fast cutting
- 1 mm thickness
- 5 TPI
- 228 mm to 300 mm length
- Packaging alternative 1: retail packed either in -2P = 2 blades or -5P = 5 blades per pack
- Packaging alternative 2: industrial pack, -10P = 10 blades per box
- Special designed for fast cutting in wood
- Perfect for coarse wood
- high back and slope shaped nose for various types of cuts

### PRODUCT ATTRIBUTES

Product					
<b>3942-228-5-HSL-2P</b>	228 mm	1 mm	5	HSL	102 g
<b>3942-228-5-HSL-5P</b>	228 mm	1 mm	5	HSL	216 g
<b>3942-228-5-HSL-10P</b>	228 mm	1 mm	5	HSL	408 g
<b>3942-300-5-HSL-2P</b>	300 mm	1 mm	5	HSL	134 g
<b>3942-300-5-HSL-5P</b>	300 mm	1 mm	5	HSL	284 g
<b>3942-300-5-HSL-10P</b>	300 mm	1 mm	5	HSL	368 g