

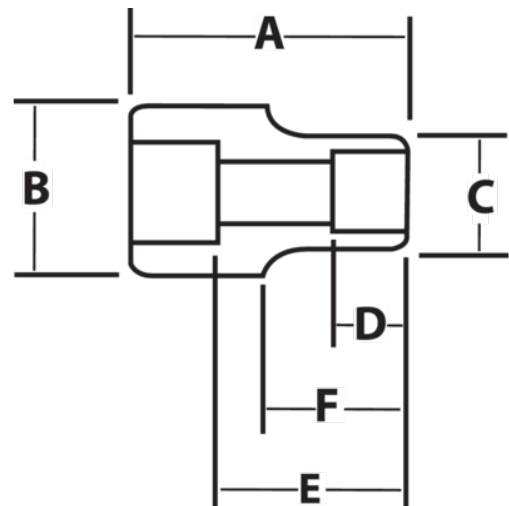


JHW38448
3/4 Drive 1-1/2 Shallow Impact
Socket 12 Point, Black Industrial
Finish







PRODUCT DETAILS

- SUPERTORQUE® lobular openings for greater turning power without deforming the fastener
- Designed for maximum engagement on 6 or 12 point fasteners
- Suitable for use with pneumatic and electric impact wrenches
- Specially heat treated for impact use to provide long life, safety, and durability



PRODUCT ATTRIBUTES

Product			A	B	C	D	E		F	
JHW38448	3/4 in	1-1/2 in	2-1/4 in	1-3/4 in	2-1/16 in	15/16 in		1-3/8 in	15/16 in	1.07 lb