

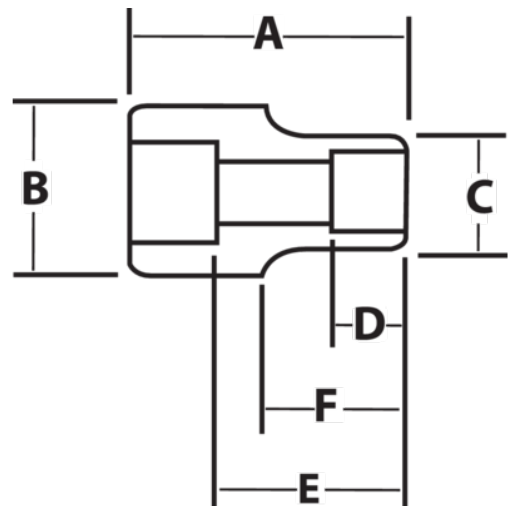


**JHW38464**  
**3/4 Drive 2 Shallow Impact Socket**  
**12 Point, Black Industrial Finish**







**PRODUCT DETAILS**

- SUPERTORQUE® lobular openings for greater turning power without deforming the fastener
- Designed for maximum engagement on 6 or 12 point fasteners
- Suitable for use with pneumatic and electric impact wrenches
- Specially heat treated for impact use to provide long life, safety, and durability



PRODUCT ATTRIBUTES

Product			<b>A</b>	<b>B</b>	<b>C</b>	<b>D</b>	<b>E</b>		<b>F</b>	
<b>JHW38464</b>	3/4 in	2 in	2-13/16 in	2-1/8 in	2-3/4 in	1-5/16 in			1 in	2.26 lb