



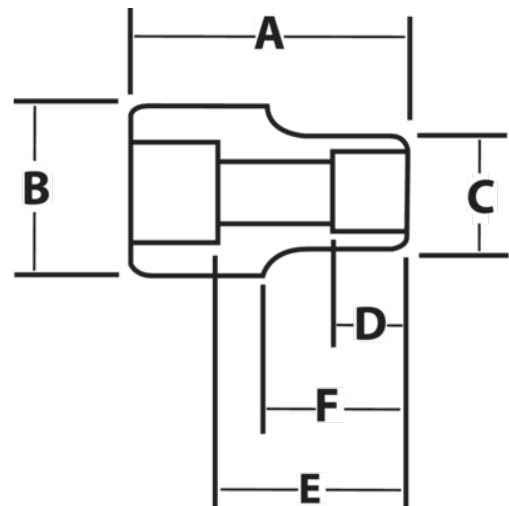
38420 - 38476

**3/4 " Drive Shallow Impact
Sockets, 12 Point, SAE**







PRODUCT DETAILS

- SUPERTORQUE® lobular openings for greater turning power without deforming the fastener
- Designed for maximum engagement on 6 or 12 point fasteners
- Suitable for use with pneumatic and electric impact wrenches
- Specially heat treated for impact use to provide long life, safety, and durability



PRODUCT ATTRIBUTES

Product			A	B	C	D	E		F	
JHW38420	3/4 in	5/8 in	2 in	1-1/2 in	1-1/8 in	5/8 in		1/2 in	7/8 in	0.56 lb
JHW38422	3/4 in	11/16 in	2 in	1-1/2 in	1-1/8 in	5/8 in		1/2 in	7/8 in	0.56 lb
JHW38424	3/4 in	3/4 in	2 in	1-1/2 in	1-1/8 in	5/8 in		5/8 in	7/8 in	0.56 lb
JHW38426	3/4 in	13/16 in	2-1/16 in	1-1/2 in	1-1/4 in	3/4 in		3/4 in	15/16 in	0.58 lb
JHW38428	3/4 in	7/8 in	2-1/16 in	1-1/2 in	1-5/16 in	3/4 in		3/4 in	15/16 in	0.59 lb
JHW38430	3/4 in	15/16 in	2-1/16 in	1-1/2 in	1-7/16 in	3/4 in		7/8 in	15/16 in	0.59 lb
JHW38432	3/4 in	1 in	2-1/16 in	1-1/2 in	1-1/2 in	3/4 in		7/8 in		0.65 lb
JHW38434	3/4 in	1-1/16 in	2-1/16 in	1-1/2 in	1-1/2 in	3/4 in		15/16 in		0.64 lb
JHW38436	3/4 in	1-1/8 in	2-1/16 in	1-5/8 in	1-5/8 in	3/4 in		1-1/16 in		0.71 lb
JHW38438	3/4 in	1-3/16 in	2-1/16 in	1-3/4 in	1-3/4 in	3/4 in		1-1/16 in		0.78 lb
JHW38440	3/4 in	1-1/4 in	2-1/16 in	1-3/4 in	1-13/16 in	3/4 in		1-3/16 in	15/16 in	0.84 lb
JHW38442	3/4 in	1-5/16 in	2-1/4 in	1-3/4 in	1-13/16 in	7/8 in		1-3/16 in	15/16 in	0.1 lb
JHW38444	3/4 in	1-3/8 in	2-1/4 in	1-3/4 in	2 in	7/8 in		1-1/4 in	15/16 in	0.1 lb
JHW38446	3/4 in	1-7/16 in	2-1/4 in	1-3/4 in	2 in	7/8 in		1-3/8 in	15/16 in	1.01 lb
JHW38448	3/4 in	1-1/2 in	2-1/4 in	1-3/4 in	2-1/16 in	15/16 in		1-3/8 in	15/16 in	1.07 lb
JHW38450	3/4 in	1-9/16 in	2-7/16 in	1-3/4 in	2-1/4 in	15/16 in		1-1/2 in	1 in	1.24 lb
JHW38452	3/4 in	1-5/8 in	2-7/16 in	1-3/4 in	2-1/4 in	15/16 in			1 in	1.26 lb
JHW38454	3/4 in	1-11/16 in	2-7/16 in	1-3/4 in	2-1/2 in	1-1/16 in			1 in	1.59 lb
JHW38456	3/4 in	1-3/4 in	2-7/16 in	1-3/4 in	2-1/2 in	1-1/16 in			1 in	1.56 lb
JHW38458	3/4 in	1-13/16 in	2-5/8 in	1-3/4 in	2-5/8 in	1-1/16 in			1 in	1.86 lb
JHW38460	3/4 in	1-7/8 in	2-5/8 in	1-3/4 in	2-5/8 in	1-1/16 in			1 in	1.93 lb
JHW38462	3/4 in	1-15/16 in	2-3/4 in	1-3/4 in	2-3/4 in	1-5/16 in			1 in	1.92 lb
JHW38464	3/4 in	2 in	2-13/16 in	2-1/8 in	2-3/4 in	1-5/16 in			1 in	2.26 lb
JHW38466	3/4 in	2-1/16 in	2-13/16 in	2-1/8 in	3 in	1-5/16 in			1 in	2.46 lb
JHW38468	3/4 in	2-1/8 in	2-13/16 in	2-1/8 in	3 in	1-5/16 in			1 in	2.65 lb
JHW38476	3/4 in	2-3/8 in	3 in	2-1/8 in	3-5/16 in	1-1/2 in			1-1/16 in	3.05 lb