

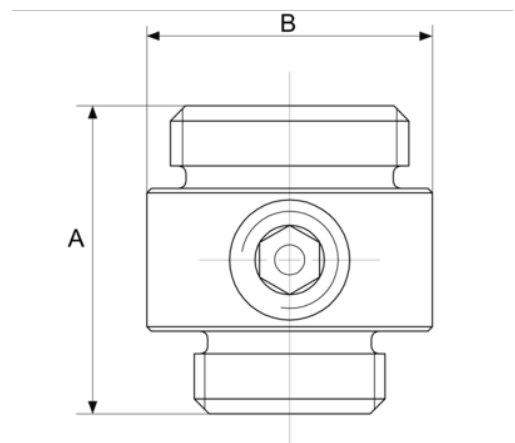


3834-UPSIZING
Upsize Adaptor for Enlarging Existing Holes




PRODUCT DETAILS

- Upsize adaptors for enlarging existing holes
- Product to be attached to the pilot drill by using a hex key, this way you can assemble the smaller holesaw inside your larger holesaw
- To be used for both small holesaws (<32 mm) and big holesaws (≥ 32 mm)
- Works excellent together with our ejector arbors
- Packed in retail package



PRODUCT ATTRIBUTES

Product	A	B	
3834-UPSIZE	20.5 mm	19 mm	26 g